

CASTING LIGHT ON THE FURNACE

The Theme of the Exhibit:

The process of iron making from start to finish.

An interactive smell box and sound box will be used in recreating the Catoctin Furnace working environment.

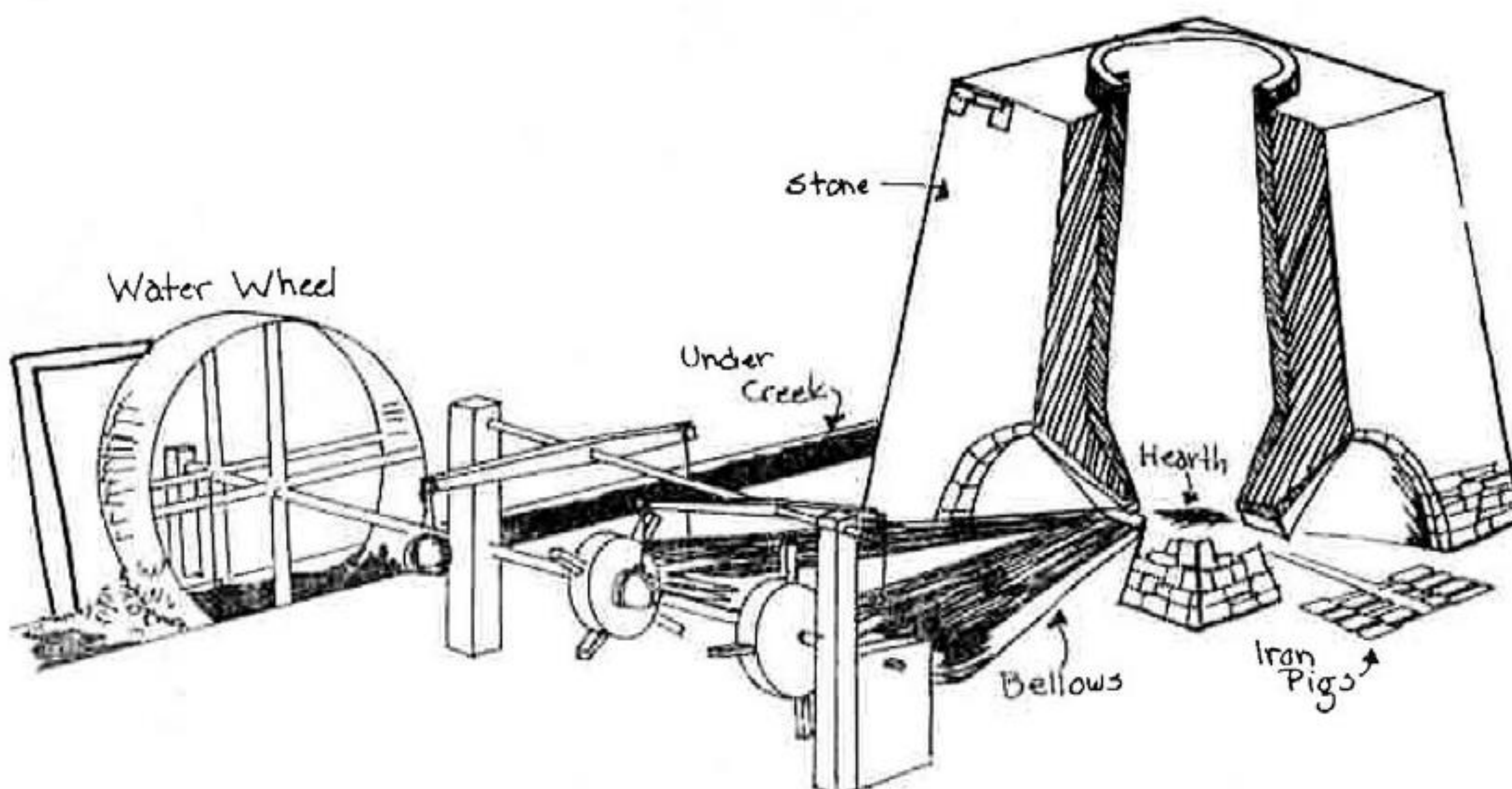
The exhibit compares and contrasts Catoctin Furnace with more modern furnaces, emphasizing changes in process, jobs, and efficiency over time.

An overview of jobs integral to the operation of the furnace on a daily basis is essential to understanding the lives of the people who held those jobs in the historic period.

The negative environmental and worker health impacts conclude the exhibit's examination of daily life at the furnace.



Isabella Furnace and its attached casting shed will be the future home of this exhibit.



This exhibit is intended to educate visitors about the process of iron-making, the involvement of workers in that process, and the effects on the workers and the environment of the village.



Maggie Friel
Justine Pinkerton
JHU, Museums and Society